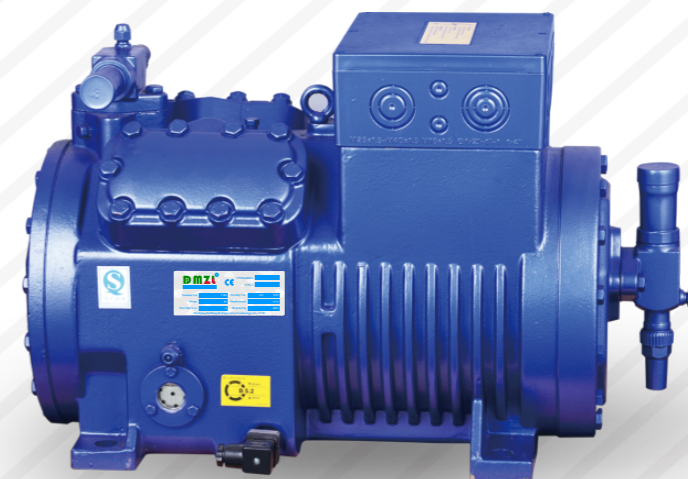


DMZL  
Professional Compressor Manufacturer  
专业制冷压缩机制造商



浙江大明制冷科技有限公司  
ZHEJIANG DAMING REFRIGERATION TECHNOLOGY CO.,LTD

地址: 浙江省绍兴市嵊州市黄泽镇东直街165号  
Add: NO.165 Dongzhi Street ,Huangze Town, Shengzhou  
City, Shaoxing City, Zhejiang Province, China  
电话(Tel): 0575-86139209  
传真(Fax): 0575-86170821  
Http: //www.dmzl.cc  
E-mail: 1611599650@qq.com  
邮编(p.c.): 312513

国际部 International Department  
Tel: +86 575 8350 9662  
Web.: www.dm-compressor.com  
E-mail: sales@dm-compressor.com

活塞式制冷压缩机  
RECIPROCATING COMPRESSOR

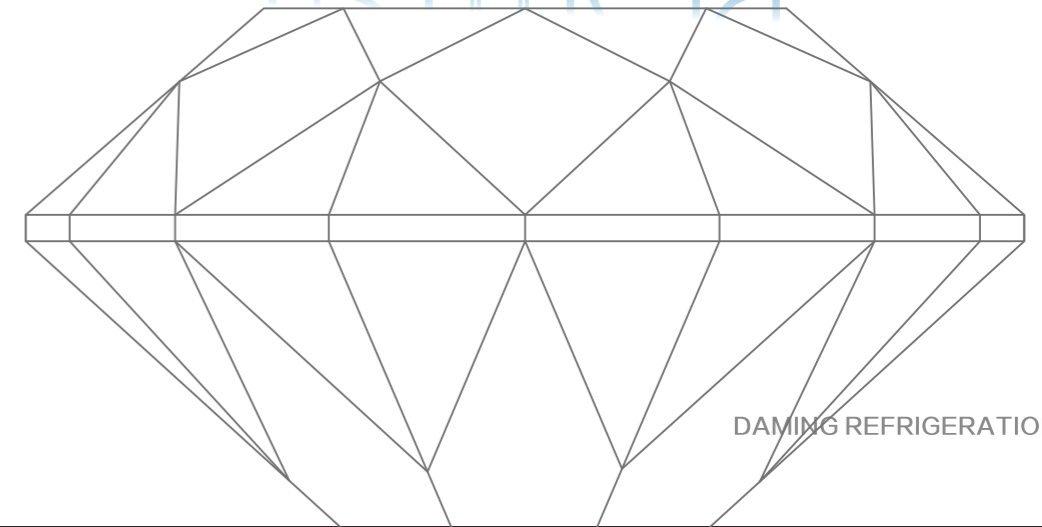
# 打造民族品牌 创建百年企业

品质为本，  
创新为魂，

大明制冷秉承质量至上的理念，  
致力于为世界制造更优、更好的压缩机。

Quality-oriented,  
Innovation-focused,  
Adhering to the idea of quality-first,  
We are committed to producing the best compressor.

# DMZL



## 大明制冷

### DAMING REFRIGERATION

浙江大明制冷科技有限公司，是一家专业从事制冷压缩机和压缩冷凝机组等制冷设备设计、研发、制造和销售的科技型民营企业，旗下拥有半封闭活塞式制冷压缩机、半封闭涡旋式制冷压缩机、和半封闭螺杆式制冷压缩机。

公司建有专业的制冷压缩机生产基地，拥有厂房3万余平米，引进了多种高精尖进口加工设备，建立了现代化的制冷压缩机和压缩冷凝机组装配线，并配备有专业的仓储中心和物流配送中心。

公司拥有三十多年的制冷压缩机制造经验，组建了一支国际国内制冷精英构成的技术团队，技术力量雄厚。公司还聘请专业的管理咨询机构针对性地建立起现代化的高效管理模式，以提升企业的管理水平。

公司以“打造民族品牌、创建百年企业”为目标，遵循“品质为本、创新为魂”的经营理念，以匠心做好产品，以创新求无限生机，努力将“大明制冷”打造成国产压缩机民族品牌、中国一流制冷压缩机制造商。

Zhejiang Daming Refrigeration Technology Co.,Ltd. Is a private company specialized in designing, producing and marketing of refrigeration compressor and condensing unit, including semi-hermetic reciprocating compressor, scroll compressor, screw compressor and air&water cooled condensing unit.

We own a manufacturing base which is over 30,000 square meters, including precise processing workshop with advanced machines and logistic department.

Meanwhile, Daming has a powerful technical team that consists of experienced engineers and technicians. Every single employee make their best effort to ensure perfect products' quality and operation efficiency.

We aim at building "Daming" into a well-known national brand as well as a century enterprise with quality and creation, being a top compressor manufacturer.

追求卓越，缔造完美

Persuing Excellence, Making Perfection





## 生产设备

大明制冷拥有专业的制冷压缩机及冷凝机组生产基地和成熟的生产技术以及精密的制造与测试设备。企业现有厂房三万余平米，拥有现代化的加工车间，其中引进了CNC数控立式加工中心、数控卧式镗床、多孔钻床及超声波清洗机等高精设备，拥有制冷压缩机和冷凝机组自动化生产线，并建立了制冷压缩机性能检测中心，具有完善的加工、生产和检测能力，确保每一件产品的卓越性能。

## FACILITIES & EQUIPMENT

Daming have a professional manufacturing base, advanced technology, precise equipment and facilities, our factory covers an area more than 30,000 square meters which including a modernized processing workshop with CNC Process Center, horizontal boring machines, two automatic producing lines of compressor & condensing unit, and a properties testing center. Now Daming have the capability of making complete range compressor and ensuring every product's perfect performance.

# HONOR & CERTIFICATES

## 资质荣誉



D A M I N G R E F R I G E R A T I O N

# Advanced, Professional Credible, Steady

## 力求领先，追求专业， 诚信经营，稳健发展。

创建“大明”品牌，是每个员工孜孜不倦追求的目标和理想，高新技术和高起点的产品结构是实现理想和目标的硬件，严格的管理和“大明制冷”人严谨、细实的工作作风，是完成目标的软件。“大明”是年轻的，更是充满生机和无限希望的，面对激烈的市场竞争，我们将以更优质的产品服务于社会。

To build "Daming" as a famous national brand is the goal diligently pursued by every employee in Daming group. The high technology, perfect product structure and the strict management, meticulous working principle are hardware and software for achieving this goal. More than young, Daming is full of vigour and infinite hope. Facing fierce competition, we will provide more qualified products to the market.



# 目录 CONTENTS

## 活塞式制冷压缩机 Reciprocating Compressor

1	产品特点 Products Features	11
	型号标识 Nomenclature	12
	应用范围 Application Scope	13
	技术参数 Technical Data	15
2	<b>制冷量表 Performance Data</b>	
	R22	21
	R404A/R507A	27



## 产品特点 Products features

大明制冷压缩机适用于各种工况工质，力求最大限度地满足您对制冷系统的要求。

The compressors of Daming suit different working condition and refrigerants, try to maximally satisfy your requirements for the refrigerating system.

- 1 技术成熟，结构紧凑 / Developed technology, compact dimension  
体积小，空间要求小 / Small volume and space
- 2 高精度加工，确保压缩机各项指标达标 / High precision machining to ensure the compressor confirm with the standard  
数控加工中心加工壳体 / CNC processing center  
特殊工艺保证三孔同心度 / Concentricity due to specific processing technology  
最小的死点间隙 / minimal dead space
- 3 运行平稳，震动小，噪音低 / steady operation, small vibration and low noise  
绝佳的稳定性 / Excellent stability
- 4 使用R22、R404等工质，符合国际环保要求 / Refrigerant like R22 and R404 are adopted to protect the environment  
适用于低温、中高温等各种工况 / For mid & low temperature application
- 5 电子保护装置，有效保护电机 / Electrical motor protect device  
PTC温度监控装置 / PTC sensor
- 6 耐磨的驱动件，使用寿命长 / wear resistant driver gear  
镀铬的活塞环，铝制活塞 / Chrome plated piston rings and aluminium pistons  
硬化处理过的曲轴 / Hardened crank-shaft  
低摩擦轴套 / Less friction
- 7 高效阀板组设计，制冷量大，能耗低 / Efficient valve plate design, high refrigerating capacity and low energy consumption  
高效的吸排气压缩比率 / Efficient compression rate  
阀片为瑞典进口钢带锻造，耐冲击 / Valve reed made of imported impact resistant spring steel
- 8 零部件通用程度高，拆修维护方便 / General spare parts, convenient for maintenance.

## 型号标识 Nomenclature

### 2YD-2.2—6WG-50.2

2/4/6 缸数  
Cylinders

Y/W 指机型  
Type

D/G D指低温，G指中高温  
D for low condensing temperature,  
G for mid & high condensing temperature

2 匹数  
Horse-power

2 设计系列编号  
Series code

### 6WDS-20.2—6WDS-30.2

6 缸数  
Cylinders

W 指机型  
Type

DS 双级压缩  
Double Stage

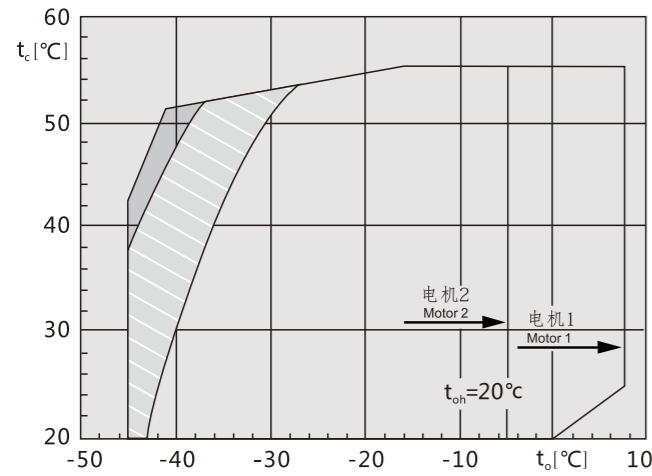
20 匹数  
Horse-power

2 设计系列编号  
Series code

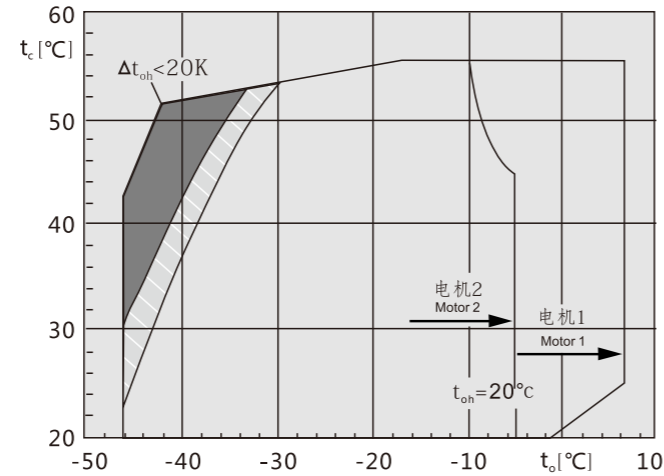
应用范围  
基于吸气温度20°C

Application Scope  
Suction gas temperature 20°C

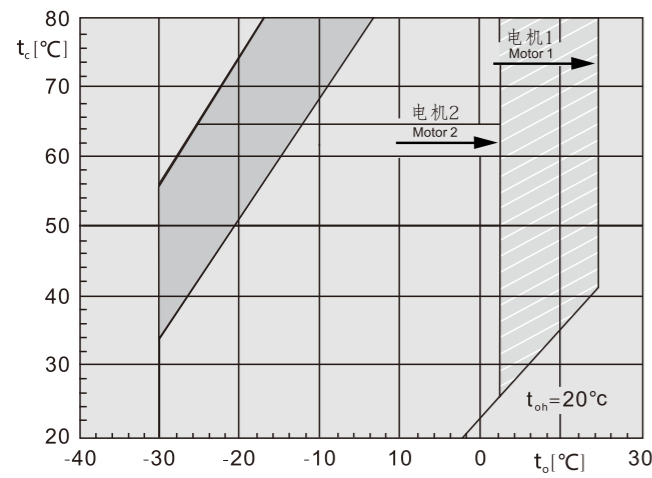
R404A•R507A  
2YD-2.2—4YG-9.2



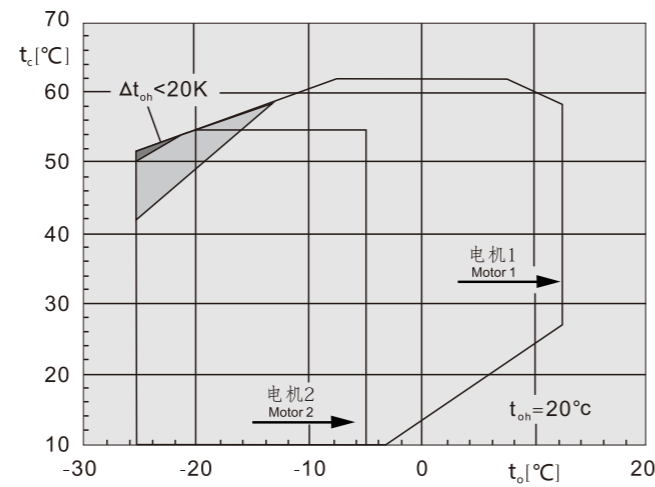
R404A•R507A  
4YD-8.2—6WG-50.2



R134a



R407C



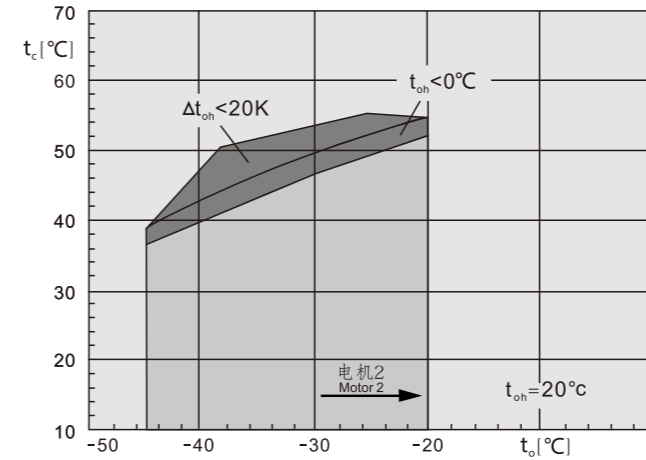
$t_e$  Evaporating temperature(°C)  $t_e$  蒸发温度(°C)  
 $t_{oh}$  Suction gas temperature(°C)  $t_{oh}$  吸气温度(°C)  
 $\Delta t_{oh}$  Suction superheat(K)  $\Delta t_{oh}$  吸气过热度(K)  
 $t_c$  Condensing temperature(°C)  $t_c$  冷凝温度(°C)

Additional cooling or max. 0°C suction gas temperature  
 Additional cooling  
 Additional cooling&limited suction gas temperature  
 Suction superheat>10K  
 附加冷却或最高0°C吸气温度  
 附加冷却  
 附加冷却+限制最高吸气温度  
 吸气过热度>10K

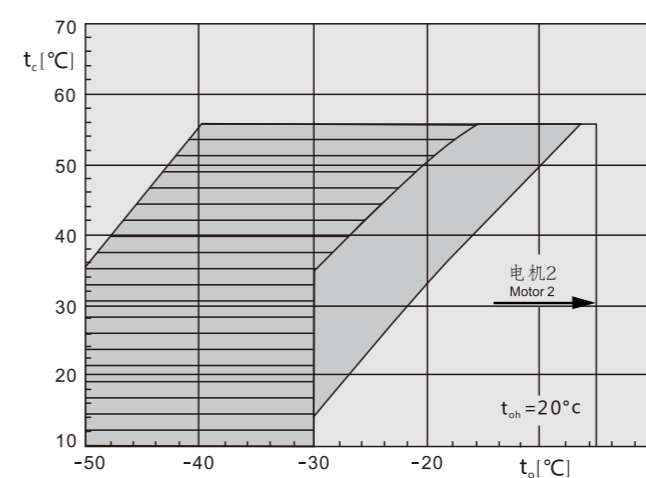
应用范围  
基于吸气温度20°C

Application Envelope  
Suction gas temperature 20°C

R22 空气冷却-直接吸气冷却 Air cooling-direct suction  
2YD-2.2—4YD-5.2

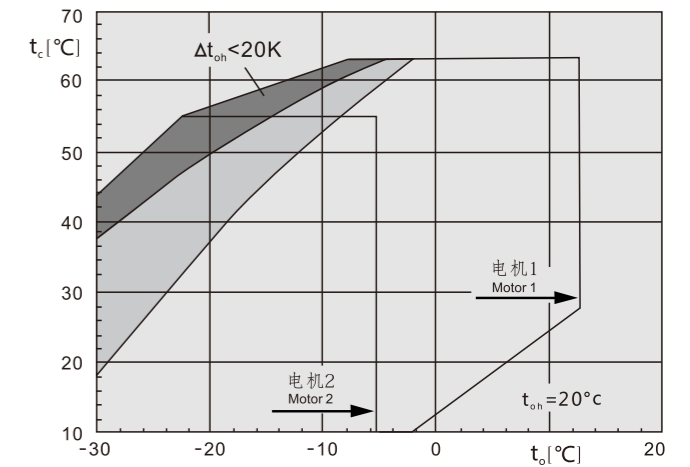


R22  
4YD-8.2—6WD-40.2

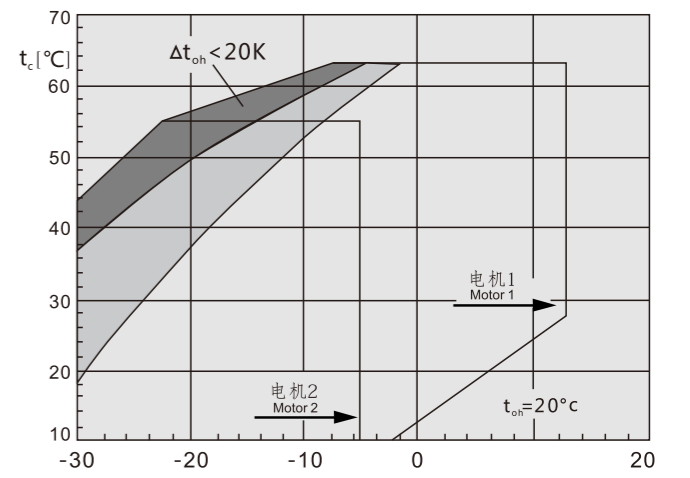


$t_e$  Evaporating temperature(°C)  $t_e$  蒸发温度(°C)  
 $t_{oh}$  Suction gas temperature(°C)  $t_{oh}$  吸气温度(°C)  
 $\Delta t_{oh}$  Suction superheat(K)  $\Delta t_{oh}$  吸气过热度(K)  
 $t_c$  Condensing temperature(°C)  $t_c$  冷凝温度(°C)

R22 吸气冷却 Suction gas cooling  
2YD-2.2—4YG-9.2



R22  
4YD-8.2—6WG-50.2



Additional cooling  
 Additional cooling&limited suction gas temperature  
 Additional cooling&liquid injection cooling system  
 附加冷却  
 附加冷却+限制最高吸气温度  
 附加冷却+喷液冷却系统



技术参数/ Technical Data

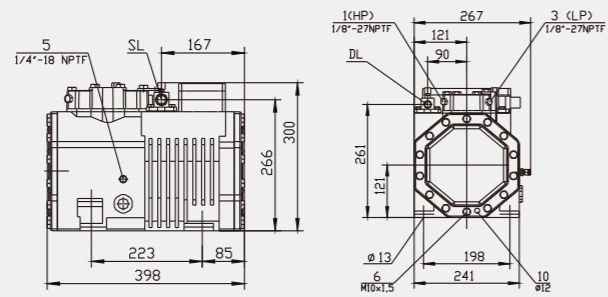
压缩机 型号 Compressor Model	电机 名义 功率 Nominal Motor- Power Hp/kW	排气量 Displacement m <sup>3</sup> /h 50/60Hz	缸数x直径 x行程 Number Of Cylinder x Diameter x Stroke mm	吸、排气阀接管 Suction, Discharge Line mm		油注入量 Oil Volume L	电源 Power Supply V/Φ/Hz	电气参数 Electrical Parameter		曲轴箱加热器 Crankcase Heater (220V) W	供油方式 Oil Supply Method	重量 Weight kg	
				DL Discharge Valve	SL Suction Valve			最大工作 电流(A) Max Operating Current	启动、堵转 电流(A) Starting/ Locked Current				
2YD-2.2	2/1.5	13.4/16.2	2 × Φ50 × 39.3	Φ16	Φ22	1.5	220-240Δ /380- 420Y/3/50 265-290Δ /440- 480Y/3/60	11.9/6.9	53.7/30.7	120	离心润滑 Centrifugal lubrication	67.5	
2YG-3.2	3/2.2	13.4/16.2	2 × Φ50 × 39.3	Φ16	Φ22	1.5		13.5/7.8	64/37	120		70.5	
2YD-3.2	3/2.2	16.2/19.6	2 × Φ55 × 39.3	Φ16	Φ22	1.5		14.8/8.5	64/37	120		70	
2YG-4.2	4/3	16.2/19.6	2 × Φ55 × 39.3	Φ16	Φ22	1.5		16.4/9.4	76.6/44.2	120		70	
4YD-3.2	3/2.2	18.1/21.8	4 × Φ41 × 39.3	Φ16	Φ22	2		15.9/9.2	76.6/44.2	120		82	
4YG-5.2	5/3.7	18.1/21.8	4 × Φ41 × 39.3	Φ16	Φ22	2		18.7/10.8	107.7/62.2	120		86	
4YD-4.2	4/3	22.7/27.4	4 × Φ46 × 39.3	Φ22	Φ28	2		18.5/10.7	92.7/53.2	120		84	
4YG-6.2	6/4.4	22.7/27.4	4 × Φ46 × 39.3	Φ22	Φ28	2		22.9/13.2	107.7/62.2	120		86	
4YD-5.2	5/3.7	26.8/32.4	4 × Φ50 × 39.3	Φ22	Φ28	2		23.4/13.5	107.7/62.2	120		85.5	
4YG-7.2	7/5.1	26.8/32.4	4 × Φ50 × 39.3	Φ22	Φ28	2		27.5/15.9	142.8/82.4	120		88.5	
4YD-6.2	6/4.4	32.5/39.2	4 × Φ55 × 39.3	Φ22	Φ28	2		27.5/15.9	142.8/82.4	120		90.5	
4YG-9.2	9/6.6	32.5/39.2	4 × Φ55 × 39.3	Φ22	Φ28	2		34.5/20	142.8/82.4	120		90.5	
4YG-10.2	10/7.5	34.7/41.9	4 × Φ55 × 42	Φ22	Φ28	2.6		21	59/99	140		139	
4YD-8.2	8/5.5	41.3/49.9	4 × Φ60 × 42	Φ28	Φ35	2.6		17	49/81	120		134	
4YG-12.2	12/8.8	41.3/49.9	4 × Φ60 × 42	Φ28	Φ35	2.6		380- 420Y/3/50	24	69/113		140	141
4YD-10.2	10/7.5	48.5/58.5	4 × Φ65 × 42	Φ28	Φ35	2.6		440- 480Y/3/60	21	59/99		140	139
4YG-15.2	15/10.5	48.5/58.5	4 × Φ65 × 42	Φ28	Φ35	2.6	31	81/132	140	147			
4YD-12.2	12/8.8	56.2/67.9	4 × Φ70 × 42	Φ28	Φ35	2.6	24	69/113	140	141			

技术参数/ Technical Data

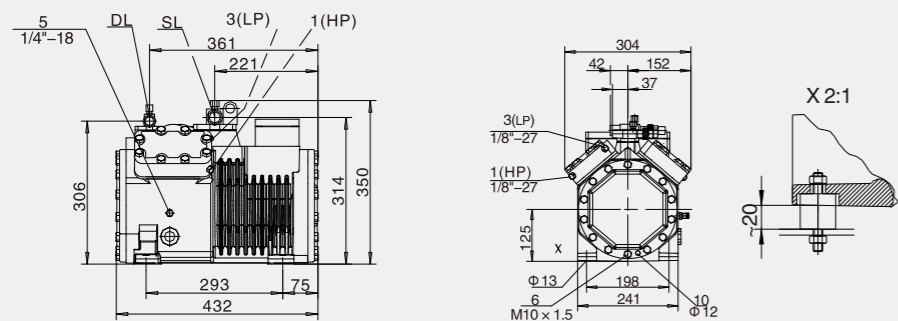
压缩机 型号 Compressor Model	电机 名义 功率 Nominal Motor- Power Hp/kW	排气量 Displacement m <sup>3</sup> /h 50/60Hz	缸数x直径 x行程 Number Of Cylinder x Diameter x Stroke mm	吸、排气阀接管 Suction, Discharge Line mm		油注入量 Oil Volume L	电源 Power Supply V/Φ/Hz	电气参数 Electrical Parameter		曲轴箱加热器 Crankcase Heater (220V) W	供油方式 Oil Supply Method	重量 Weight kg
				DL Discharge Valve	SL Suction Valve			最大工作 电流(A) Max Operating Current	启动、堵转 电流(A) Starting/ Locked Current			
4YG-20.2	20/15	56.2/67.9	4 × Φ70 × 42	Φ28	Φ42	2.6	380- 420Y/3/50 440- 480Y/3/60	37	97/158	140	离心润滑 Centrifugal lubrication	150
4VD-15.2	15/10.5	73.6/88.8	4 × Φ70 × 55	Φ28	Φ42	4		31	81/132	140	油泵供油 Forced- lubrication	183
4VG-25.2	25/18.5	73.6/88.8	4 × Φ70 × 55	Φ28	Φ54	4.5		45	116/193	140		203
4VD-20.2	20/15	84.5/101.9	4 × Φ75 × 55	Φ28	Φ54	4.5		37	97/158	140		192
4VG-30.2	30/22	84.5/101.9	4 × Φ75 × 55	Φ28	Φ54	4.5		53	135/220	140		206
6WD-25.2	25/18.5	110.5/133.4	6 × Φ70 × 55	Φ35	Φ54	4.75		45	116/193	140	油泵供油 Forced- lubrication	224
6WG-35.2	35/25.5	110.5/133.4	6 × Φ70 × 55	Φ42	Φ54	4.75		61	147/262	140		235
6WD-30.2	30/22	126.8/153.0	6 × Φ75 × 55	Φ35	Φ54	4.75		53	135/220	140		228
6WG-40.2	40/30	126.8/153.0	6 × Φ75 × 55	Φ42	Φ54	4.75		78	180/323	140		238
6WD-40.2	40/30	151.6/183.0	6 × Φ82 × 55	Φ42	Φ54	4.75		78	180/323	140		239
6WG-50.2	50/37	151.6/183.0	6 × Φ82 × 55	Φ42	Φ54	4.75		92	226/404	140		241
6WDS-20.2	20/15	73.6/36.9 88.8/44.5	6 × Φ70/70 × 55	Φ35	Φ42	4.75		37	97/158	140		220
6WDS-25.2	25/18.5	84.5/42.3 101.9/51.1	6 × Φ75/75 × 55	Φ35	Φ42	4.75		45	116/193	140		233
6WDS-30.2	30/22	101.1/50.5 122.0/60.9	6 × Φ82/82 × 55	Φ35	Φ42	4.75		53	135/220	140	234	

压缩机各接口位置和外形尺寸图 Connections and Dimension

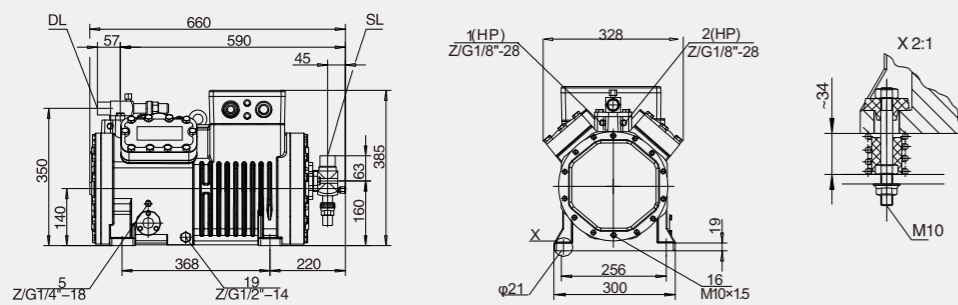
2YD-2.2---2YG-4.2



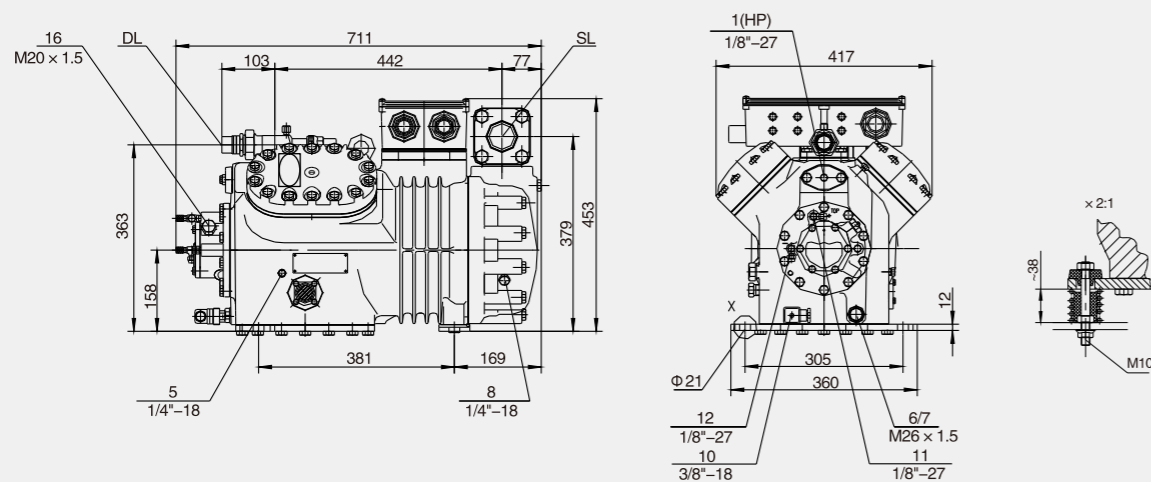
4YD-3.2---4YG-9.2



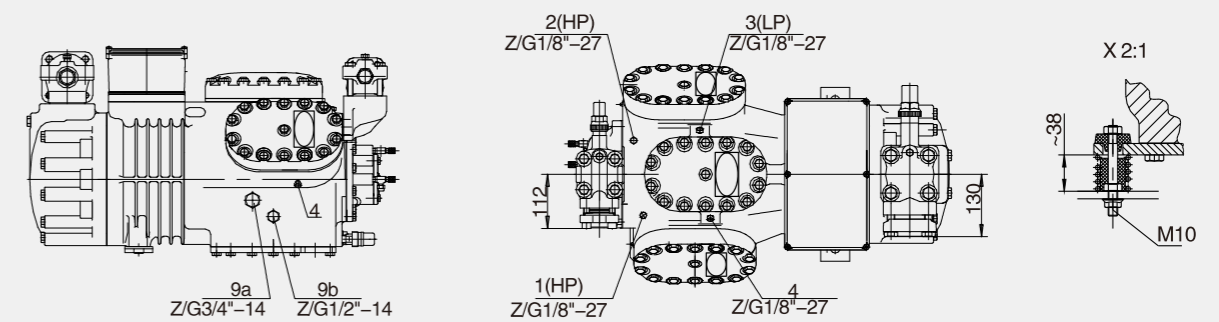
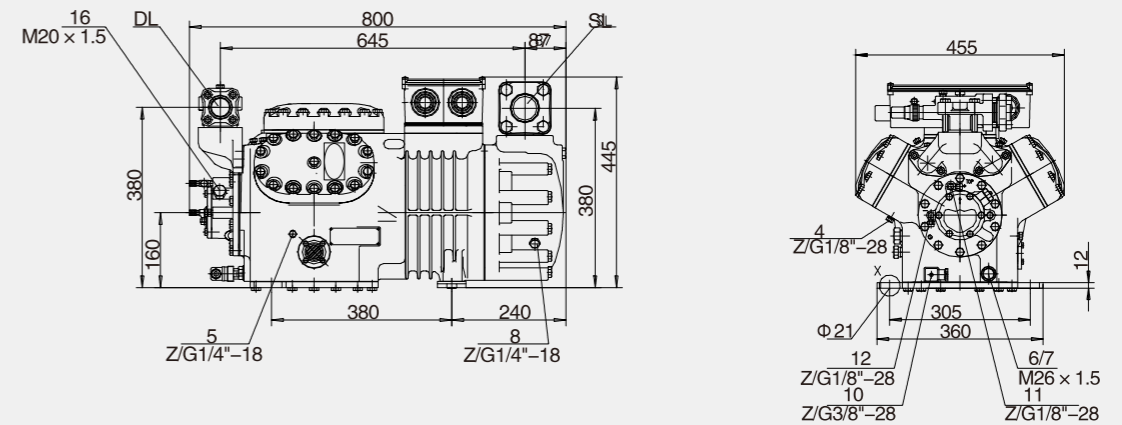
4YD-8.2---4YG-20.2



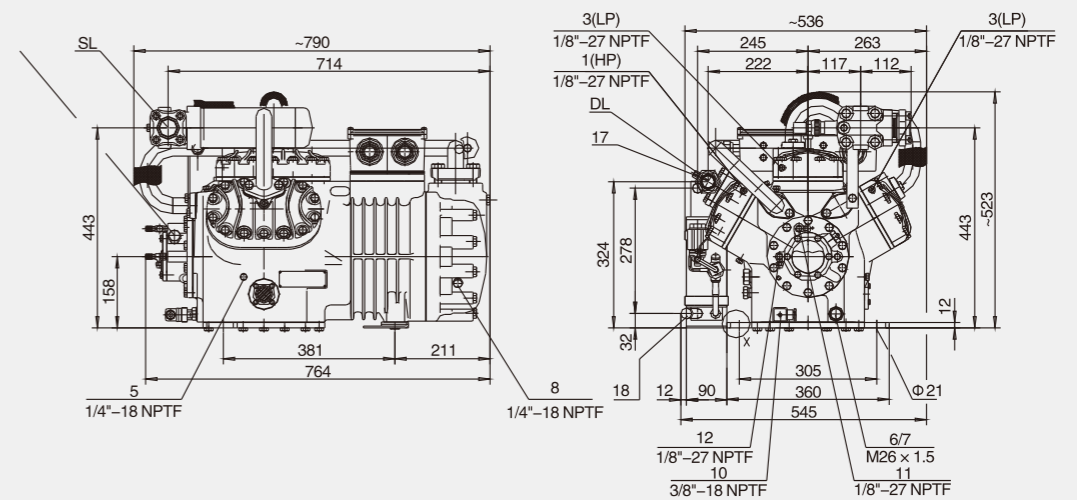
4VD-15.2---4VG-30.2



6WD-25.2---6WG-50.2



6WDS-20.2---6WDS-30.2



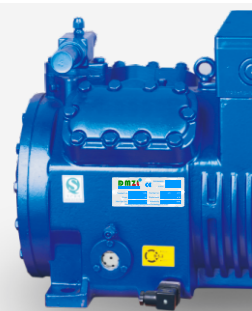
图示接管位置说明 Connection Positions

- |                              |                                 |                     |   |
|------------------------------|---------------------------------|---------------------|---|
| 1.高压接口 ( HP )                | 1.High pressure connection(HP)  | 9a.气平衡接口 ( 并联运行 )   | 9a.Gas equalisation(parallel operation)   |
| 2.排气温度探头接口 ( HP )            | 2.Discharge gas temp.sensor(HP) | 9b.油平衡接口 ( 并联运行 )   | 9b.Discharge gas temp.sensor(HP)          |
| 3.低压接口 ( LP )                | 3.Low pressure connection(LP)   | 10.曲轴箱加热器           | 10.Crankcase heater                       |
| 4.CIC系统:喷嘴接口<br>( 不带液体过冷运行 ) | 4.CIC System:spray nozzle       | 11.油压高压接口+          | 11.Oil pessure connection+                |
| 5.加油堵                        | 5.Oil fill plug                 | 12.油压低压接口-          | 12.Oil pessure connection-                |
| 6.放油口                        | 6.Oil drain                     | 16.油压差开关"Delta-p"连接 | 16.Connection for oil monitoring(Delta-p) |
| 7.油过滤器 ( 带磁螺栓 )              | 7.Oil filter(magnetic screw)    | 21.油服务阀接口           | 21.Connection for oil service valve       |
| 8.回油口 ( 接油分离器 )              | 8.Oil return(oil separator)     | SL吸气阀接口             | SL.Connection for suction valve           |
|                              |                                 | DL排气阀接口             | DL.Connection for discharge valve         |









完美与卓越的追求者  
质量与服务的践行者  
The pursuer of perfection  
and excellence  
The practicer of quality  
and service

