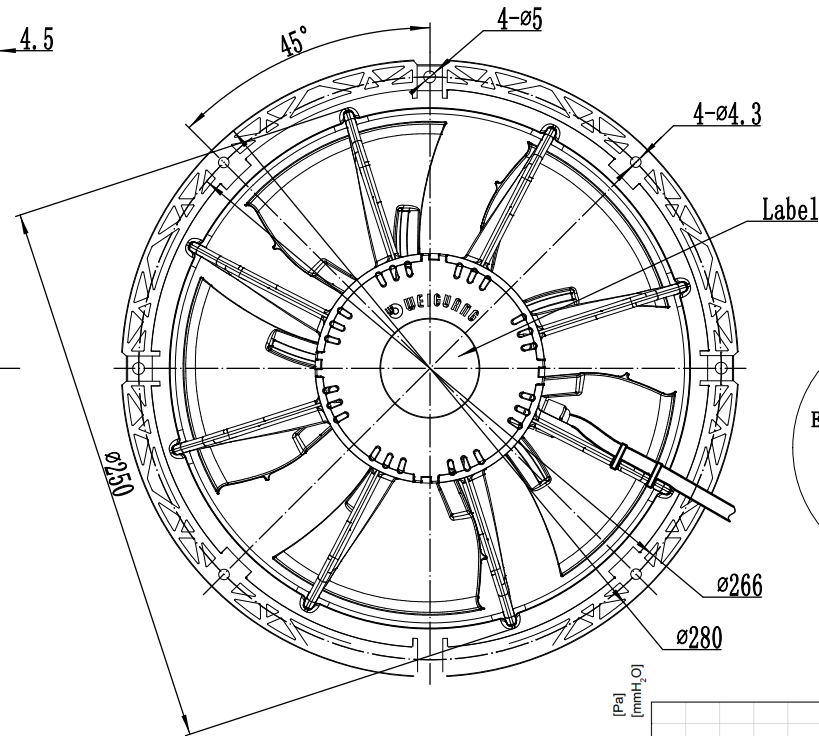
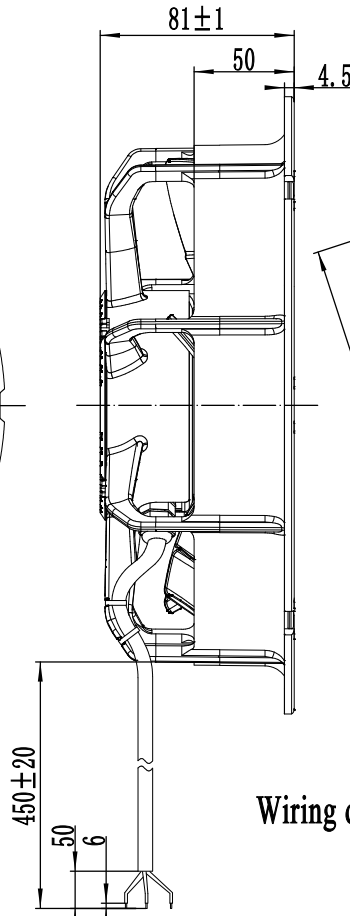
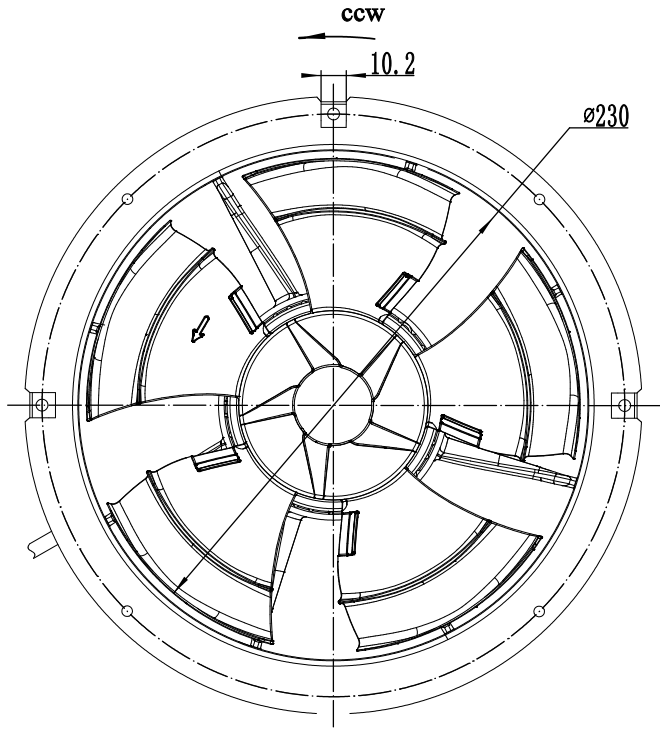
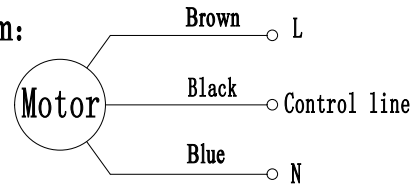


E0436P1

Type	Rated voltage(V)	Frequency(Hz)	Input current(A)	Input power(W)	Rated speed(r/min)	Max Air flow(m ³ /h)	Noise(dBA)	Perm.amb.temp(°C)
EC072/13E3G01-AS230/58P1-01	230VAC	50/60	0.2	26±10%	1500/1000	1000±10%	≤58	-30~+50

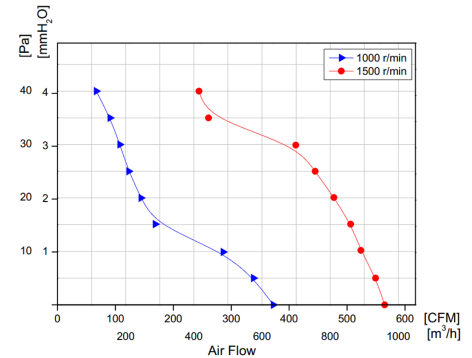


Wiring diagram:



Black line open: N1 speed

Black line connecte with blue line or brown line: N2 speed



Technical requirements:

- 1.Fan flexible rotation, no clamping stagnation, abnormal sound and other bad phenomenon;
- 2.No oil and glue mark on the surface of the fan, no defects such as obvious deformation, mechanical mar,etc;
- 3.Lead wires surface without damage, the length according to the requirements of the drawings;
- 4.The motor is BLDC ,it's protection functions include blocking protection,soft start, current-limiting protection ;
- 5.Rotation direction: The fan rotates ccw viewed from rotor;
6. 2 speeds programmed through NFC;
- 7.Main technical parameters of the fan according to the preceding table:

						Hangzhou Weiguang Electronic CO.,LTD.		
						ECM+ energy-saving fan		
Mark	Number	Partition	Change the file number	Signature	Date	Phase marker	Weight	Proportion
Design			Standardization					1:1
Examine						EC072/13E3G01-AS230/58P1-01		
Technology			Approval			Total 1 piece	Article 1 piece	E0436P1